

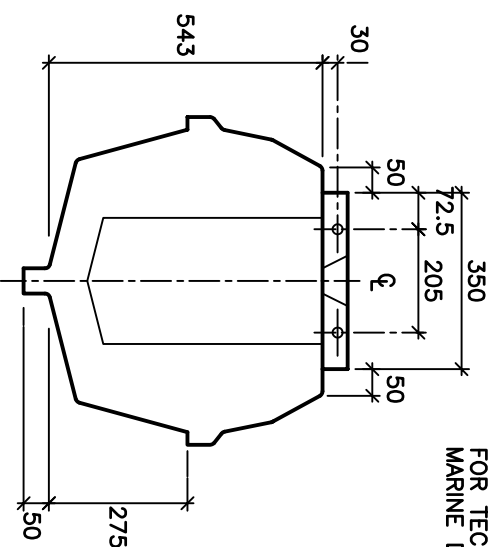
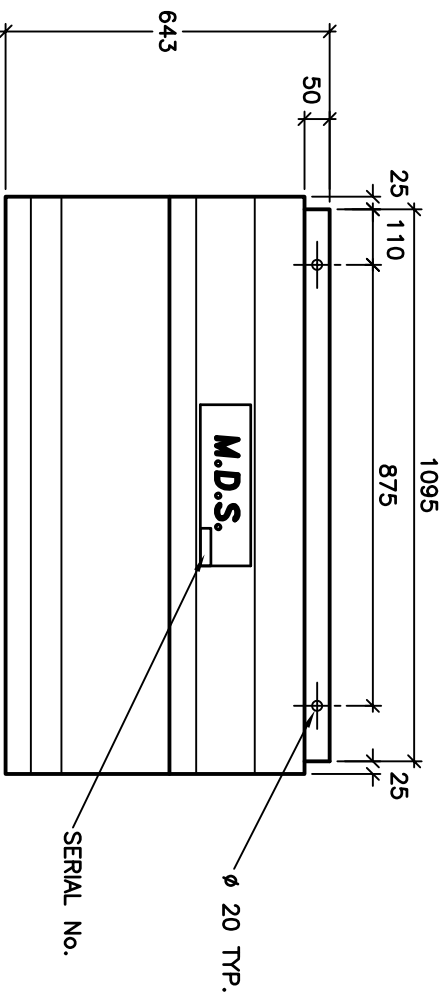
RIVT-441 AND
WASHER-1164
6 REQD.

WARNING--THIS FLOTATION MODULE HAS BEEN DESIGNED TO FORM PART OF AN INTEGRATED SYSTEM. THE MODULES STRUCTURAL INTEGRITY, FLOTATION CAPABILITY, STABILITY AND OTHER PROPERTIES ARE A FUNCTION OF THE APPLIED LOADINGS AND THE METHOD OF THE MODULES MOUNTING AND APPLICATION. MARINE DOCK SYSTEMS PTY.LTD. CANNOT GUARANTEE THE PERFORMANCE OF THIS MODULE UNLESS THE COMPANY PROVIDES WRITTEN ENGINEERING CERTIFICATION FOR ITS INSTALLATION.

OPTIONS--STANDARD FLOATS ARE HOLLOW.
--FOR ADDITIONAL FLOTATION SECURITY, FLOATS CAN BE FOAM FILLED. 804
--FOR ADJUSTING PONTOON TRIM, FLOATS CAN BE FILLED WITH BALLAST.
MATERIAL--FLOTATION MODULES ARE MANUFACTURED BY ROTATIONAL CASTING.

--FLOTATION MODULES ARE MANUFACTURED FROM U.V. STABILISED, HIGH STRESS CRACK RESISTANT, LINEAR POLYETHYLENE.
--STANDARD COLOUR-- BLACK
--OTHER COLOURS ARE MADE TO ORDER.
--APPROX. WEIGHT--25kg
--DUE TO THE MANUFACTURING PROCESS, FLOAT DIMENSIONS MAY VARY.

FOR TECHNICAL INFORMATION CONSULT MARINE DOCK SYSTEMS. PH.(02) 9627 5577



REGD. DESIGN No. 83686

MARINE DOCK SYSTEMS
PTY LTD

FLOTATION MODULE
333 LITRE

FLO333-184



SCALE	N.T.S.	DRAWING No.	
DRAWN	J.P.M	A4-184	
DATE	26.5.97	REV	C